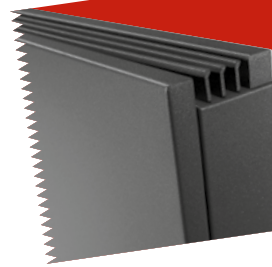




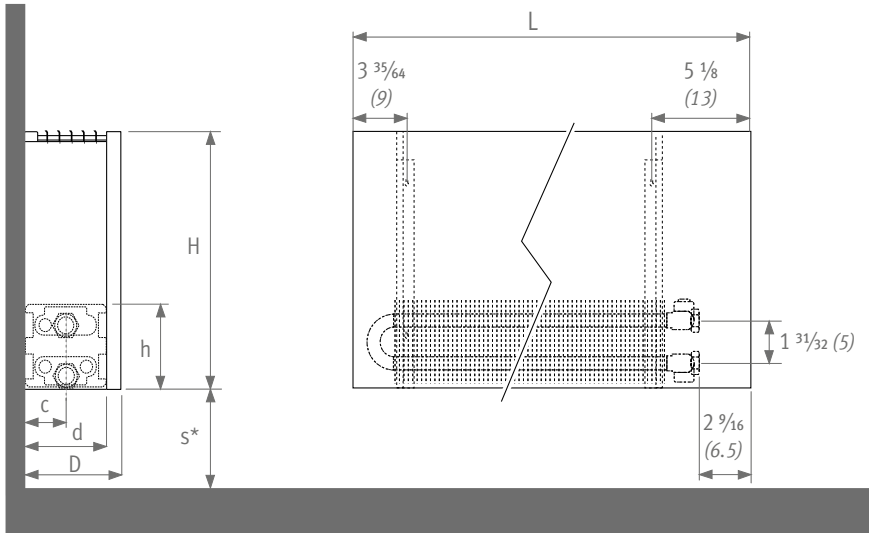
**jaga**



# STRADA

Dimensions & heat output

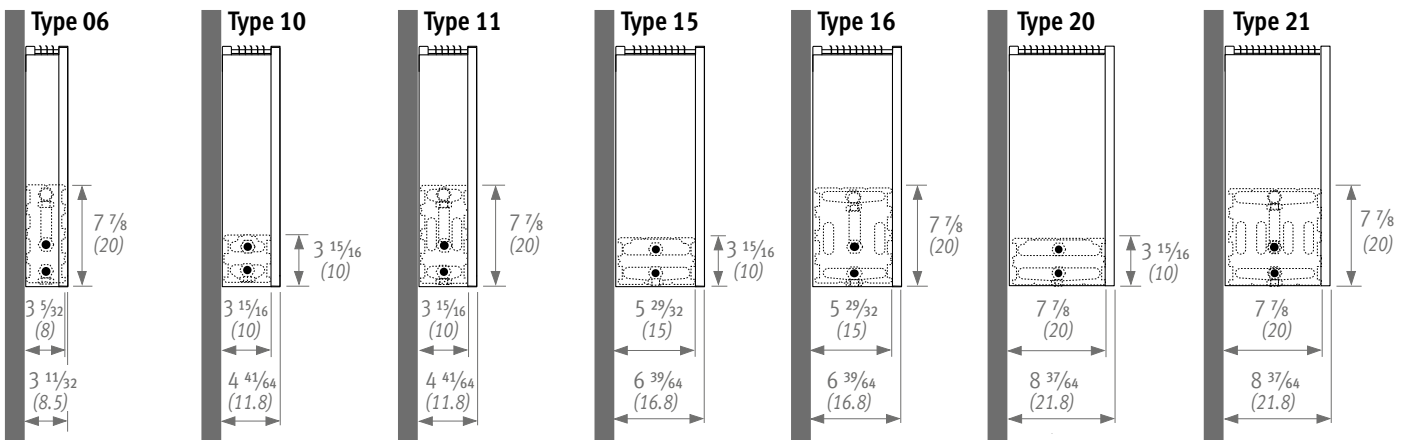
## DIMENSIONS



\* Smaller dimensions can decrease output.


Type	d	h	D	c	s
<b>10</b>	3 15/16 (10)	3 15/16 (10)	4 41/64 (11.8)	2 3/64 (5.2)	3 15/16 (10)
<b>15</b>	5 29/32 (15)	3 15/16 (10)	6 39/64 (16.8)	3 1/32 (7.7)	4 23/32 (12)
<b>20</b>	7 7/8 (20)	3 15/16 (10)	8 37/64 (21.8)	4 1/64 (10.2)	5 29/32 (15)

Type	d	h	D	c	s
<b>06</b>	3 5/32 (8)	7 7/8 (20)	3 11/32 (8.5)	1 37/64 (4.0)	3 15/16 (10)
<b>11</b>	3 15/16 (10)	7 7/8 (20)	4 41/64 (11.8)	2 3/64 (5.2)	3 15/16 (10)
<b>16</b>	5 29/32 (15)	7 7/8 (20)	6 39/64 (16.8)	3 1/32 (7.7)	4 23/32 (12)
<b>21</b>	7 7/8 (20)	7 7/8 (20)	8 37/64 (21.8)	4 1/64 (10.2)	5 29/32 (15)



Note: dimensions in “( )” are shown in centimeters.

The information in this technical brochure is correct at the time of printing. Jaga reserves the right to change product specification at any time in line with our policy of continuous improvement and innovation.

 The dimensions shown in the tables have been rounded off to 0.5".  
Dimensions in cm are exact. (1 cm = 0.394")

## STRADA TYPE 06

code height length type color conn.  
ORDER CODE: STRW. 020 050 06. XXX /00

mean T °F (°C)	H	L 19.5" (050)	23.5" (060)	27.5" (070)	31.5" (080)	35.5" (090)	39.5" (100)	43.5" (110)	47" (120)	55" (140)	63" (160)	71" (180)	78.5" (200)	94.5" (240)	110" (280)
170 (76.7)	<b>8"</b>	1139	1368	1597	1822	2051	2279	2508	2737	3191	3648	4102	4559	5471	6382
160 (71.1)	(020)	989	1188	1387	1582	1781	1979	2178	2377	2771	3168	3562	3959	4751	5542
<b>130 (54.4)</b>		<b>579</b>	<b>696</b>	<b>812</b>	<b>926</b>	<b>1043</b>	<b>1159</b>	<b>1275</b>	<b>1392</b>	<b>1622</b>	<b>1855</b>	<b>2086</b>	<b>2318</b>	<b>2782</b>	<b>3245</b>
<b>110 (43.3)</b>		<b>345</b>	<b>414</b>	<b>483</b>	<b>551</b>	<b>621</b>	<b>690</b>	<b>759</b>	<b>828</b>	<b>966</b>	<b>1104</b>	<b>1242</b>	<b>1380</b>	<b>1656</b>	<b>1932</b>
170 (76.7)	<b>14"</b>	1669	2003	2337	2671	3005	3339	3673	4007	4674	5342	6010	6678	8014	9349
160 (71.1)	(035)	1452	1742	2033	2323	2614	2904	3195	3485	4066	4647	5228	5809	6971	8132
<b>130 (54.4)</b>		<b>856</b>	<b>1027</b>	<b>1198</b>	<b>1369</b>	<b>1540</b>	<b>1712</b>	<b>1883</b>	<b>2054</b>	<b>2396</b>	<b>2739</b>	<b>3081</b>	<b>3424</b>	<b>4108</b>	<b>4793</b>
<b>110 (43.3)</b>		<b>512</b>	<b>615</b>	<b>718</b>	<b>820</b>	<b>923</b>	<b>1025</b>	<b>1128</b>	<b>1230</b>	<b>1436</b>	<b>1641</b>	<b>1846</b>	<b>2051</b>	<b>2461</b>	<b>2872</b>
170 (76.7)	<b>19.5"</b>	1997	2393	2793	3193	3589	3989	4390	4786	5586	6382	7183	7979	9576	11173
160 (71.1)	(050)	1740	2086	2434	2783	3129	3477	3826	4172	4869	5563	6261	6955	8347	9739
<b>130 (54.4)</b>		<b>1034</b>	<b>1239</b>	<b>1446</b>	<b>1653</b>	<b>1859</b>	<b>2066</b>	<b>2273</b>	<b>2478</b>	<b>2893</b>	<b>3305</b>	<b>3720</b>	<b>4132</b>	<b>4959</b>	<b>5786</b>
<b>110 (43.3)</b>		<b>624</b>	<b>748</b>	<b>873</b>	<b>998</b>	<b>1122</b>	<b>1247</b>	<b>1372</b>	<b>1496</b>	<b>1746</b>	<b>1995</b>	<b>2246</b>	<b>2495</b>	<b>2994</b>	<b>3493</b>
170 (76.7)	<b>25.5"</b>	2237	2687	3132	3581	4026	4475	4925	5370	6264	7163	8057	8951	10740	12533
160 (71.1)	(065)	1955	2347	2736	3128	3517	3910	4302	4691	5472	6257	7039	7820	9383	10949
<b>130 (54.4)</b>		<b>1171</b>	<b>1406</b>	<b>1639</b>	<b>1874</b>	<b>2107</b>	<b>2342</b>	<b>2577</b>	<b>2810</b>	<b>3278</b>	<b>3749</b>	<b>4217</b>	<b>4685</b>	<b>5621</b>	<b>6560</b>
<b>110 (43.3)</b>		<b>713</b>	<b>856</b>	<b>997</b>	<b>1141</b>	<b>1282</b>	<b>1426</b>	<b>1569</b>	<b>1710</b>	<b>1995</b>	<b>2282</b>	<b>2567</b>	<b>2852</b>	<b>3421</b>	<b>3993</b>
170 (76.7)	<b>37.5"</b>	---	3069	3578	4091	4600	5113	5626	6135	7157	---	---	---	---	---
160 (71.1)	(095)	---	2693	3140	3590	4036	4486	4936	5383	6280	---	---	---	---	---
<b>130 (54.4)</b>		---	<b>1640</b>	<b>1912</b>	<b>2186</b>	<b>2458</b>	<b>2732</b>	<b>3006</b>	<b>3278</b>	<b>3824</b>	---	---	---	---	---
<b>110 (43.3)</b>		---	<b>1014</b>	<b>1182</b>	<b>1352</b>	<b>1520</b>	<b>1689</b>	<b>1859</b>	<b>2027</b>	<b>2364</b>	---	---	---	---	---

BTU/hr with 65°F (18.3°C) entering air and 1 GPM flow rate

## STRADA TYPE 10

code height length type color conn.  
ORDER CODE: STRW. 020 050 10. XXX /00

mean T °F (°C)	H	L 19.5" (050)	23.5" (060)	27.5" (070)	31.5" (080)	35.5" (090)	39.5" (100)	43.5" (110)	47" (120)	55" (140)	63" (160)	71" (180)	78.5" (200)	94.5" (240)	110" (280)
170 (76.7)	<b>8"</b>	1390	1666	1946	2221	2501	2777	3056	3332	3887	4443	4998	5554	6665	7775
160 (71.1)	(020)	1207	1446	1689	1928	2171	2410	2653	2893	3375	3857	4339	4821	5786	6750
<b>130 (54.4)</b>		<b>706</b>	<b>846</b>	<b>988</b>	<b>1128</b>	<b>1270</b>	<b>1410</b>	<b>1552</b>	<b>1692</b>	<b>1974</b>	<b>2256</b>	<b>2538</b>	<b>2820</b>	<b>3384</b>	<b>3948</b>
<b>110 (43.3)</b>		<b>420</b>	<b>503</b>	<b>587</b>	<b>671</b>	<b>755</b>	<b>838</b>	<b>923</b>	<b>1006</b>	<b>1174</b>	<b>1342</b>	<b>1509</b>	<b>1677</b>	<b>2013</b>	<b>2348</b>
170 (76.7)	<b>14"</b>	1899	2280	2661	3037	3418	3799	4179	4560	5317	6079	6836	7598	9117	10635
160 (71.1)	(035)	1651	1982	2313	2640	2971	3302	3633	3964	4623	5285	5943	6605	7925	9246
<b>130 (54.4)</b>		<b>971</b>	<b>1165</b>	<b>1360</b>	<b>1552</b>	<b>1747</b>	<b>1942</b>	<b>2136</b>	<b>2331</b>	<b>2718</b>	<b>3108</b>	<b>3495</b>	<b>3884</b>	<b>4661</b>	<b>5437</b>
<b>110 (43.3)</b>		<b>580</b>	<b>696</b>	<b>813</b>	<b>928</b>	<b>1044</b>	<b>1161</b>	<b>1277</b>	<b>1393</b>	<b>1625</b>	<b>1858</b>	<b>2089</b>	<b>2322</b>	<b>2786</b>	<b>3250</b>
170 (76.7)	<b>19.5"</b>	2271	2727	3178	3634	4086	4542	4998	5450	6357	7269	8177	9084	10900	12719
160 (71.1)	(050)	1977	2374	2767	3164	3557	3954	4351	4744	5534	6328	7118	7908	9489	11073
<b>130 (54.4)</b>		<b>1168</b>	<b>1403</b>	<b>1636</b>	<b>1870</b>	<b>2103</b>	<b>2337</b>	<b>2572</b>	<b>2805</b>	<b>3272</b>	<b>3741</b>	<b>4208</b>	<b>4675</b>	<b>5610</b>	<b>6546</b>
<b>110 (43.3)</b>		<b>702</b>	<b>843</b>	<b>983</b>	<b>1124</b>	<b>1263</b>	<b>1404</b>	<b>1545</b>	<b>1685</b>	<b>1966</b>	<b>2248</b>	<b>2529</b>	<b>2809</b>	<b>3371</b>	<b>3933</b>
170 (76.7)	<b>25.5"</b>	2552	3062	3572	4081	4591	5101	5611	6120	7140	8163	9183	10202	12241	14284
160 (71.1)	(065)	2225	2669	3114	3558	4002	4447	4891	5335	6224	7117	8005	8894	10671	12453
<b>130 (54.4)</b>		<b>1322</b>	<b>1586</b>	<b>1850</b>	<b>2115</b>	<b>2379</b>	<b>2643</b>	<b>2907</b>	<b>3171</b>	<b>3699</b>	<b>4230</b>	<b>4758</b>	<b>5286</b>	<b>6342</b>	<b>7401</b>
<b>110 (43.3)</b>		<b>798</b>	<b>958</b>	<b>1117</b>	<b>1277</b>	<b>1437</b>	<b>1596</b>	<b>1756</b>	<b>1915</b>	<b>2234</b>	<b>2555</b>	<b>2874</b>	<b>3193</b>	<b>3831</b>	<b>4470</b>
170 (76.7)	<b>37.5"</b>	---	3506	4089	4672	5259	5842	6425	7012	8178	---	---	---	---	---
160 (71.1)	(095)	---	3065	3575	4084	4598	5107	5617	6130	7150	---	---	---	---	---
<b>130 (54.4)</b>		---	<b>1841</b>	<b>2147</b>	<b>2453</b>	<b>2762</b>	<b>3068</b>	<b>3374</b>	<b>3682</b>	<b>4295</b>	---	---	---	---	---
<b>110 (43.3)</b>		---	<b>1123</b>	<b>1310</b>	<b>1497</b>	<b>1685</b>	<b>1872</b>	<b>2059</b>	<b>2247</b>	<b>2621</b>	---	---	---	---	---

BTU/hr with 65°F (18.3°C) entering air and 1 GPM flow rate

## STRADA TYPE 11

code height length type color conn.  
ORDER CODE: STRW. 035 050 11. XXX /00

mean T °F (°C)	H	L 19.5" (050)	23.5" (060)	27.5" (070)	31.5" (080)	35.5" (090)	39.5" (100)	43.5" (110)	47" (120)	55" (140)	63" (160)	71" (180)	78.5" (200)	94.5" (240)	110" (280)
170 (76.7)	<b>14"</b>	2546	3056	3563	4074	4581	5092	5602	6109	7127	8148	9166	10184	12219	14258
160 (71.1)	(035)	2204	2646	3085	3527	3966	4408	4850	5289	6170	7055	7936	8817	10579	12344
<b>130 (54.4)</b>		<b>1276</b>	<b>1532</b>	<b>1786</b>	<b>2042</b>	<b>2296</b>	<b>2552</b>	<b>2808</b>	<b>3062</b>	<b>3572</b>	<b>4084</b>	<b>4594</b>	<b>5105</b>	<b>6125</b>	<b>7147</b>
<b>110 (43.3)</b>		<b>751</b>	<b>902</b>	<b>1051</b>	<b>1202</b>	<b>1352</b>	<b>1503</b>	<b>1653</b>	<b>1803</b>	<b>2103</b>	<b>2405</b>	<b>2705</b>	<b>3006</b>	<b>3607</b>	<b>4209</b>
170 (76.7)	<b>19.5"</b>	2949	3541	4128	4720	5307	5899	6490	7078	8257	9440	10619	11798	14156	16518
160 (71.1)	(050)	2554	3066	3575	4087	4596	5108	5620	6129	7150	8174	9195	10216	12258	14304
<b>130 (54.4)</b>		<b>1479</b>	<b>1776</b>	<b>2071</b>	<b>2368</b>	<b>2663</b>	<b>2959</b>	<b>3256</b>	<b>3551</b>	<b>4143</b>	<b>4736</b>	<b>5328</b>	<b>5919</b>	<b>7103</b>	<b>8288</b>
<b>110 (43.3)</b>		<b>872</b>	<b>1047</b>	<b>1220</b>	<b>1395</b>	<b>1569</b>	<b>1744</b>	<b>1919</b>	<b>2092</b>	<b>2441</b>	<b>2791</b>	<b>3140</b>	<b>3488</b>	<b>4185</b>	<b>4884</b>
170 (76.7)	<b>25.5"</b>	3285	3940	4596	5251	5910	6566	7221	7881	9192	10506	11817	13132	15758	18384
160 (71.1)	(065)	2845	3412	3980	4547	5119	5686	6254	6825	7960	9099	10234	11373	13647	15921
<b>130 (54.4)</b>		<b>1649</b>	<b>1978</b>	<b>2307</b>	<b>2636</b>	<b>2967</b>	<b>3296</b>	<b>3625</b>	<b>3956</b>	<b>4614</b>	<b>5274</b>	<b>5932</b>	<b>6592</b>	<b>7910</b>	<b>9228</b>
<b>110 (43.3)</b>		<b>972</b>	<b>1166</b>	<b>1360</b>	<b>1554</b>	<b>1749</b>	<b>1943</b>	<b>2137</b>	<b>2332</b>	<b>2720</b>	<b>3109</b>	<b>3497</b>	<b>3886</b>	<b>4663</b>	<b>5440</b>
170 (76.7)	<b>37.5"</b>	---	4585	5346	6112	6873	7639	8405	9166	10693	---	---	---	---	---
160 (71.1)	(095)	---	3972	4631	5295	5954	6618	7281	7940	9263	---	---	---	---	---
<b>130 (54.4)</b>		---	<b>2305</b>	<b>2687</b>	<b>3072</b>	<b>3455</b>	<b>3840</b>	<b>4225</b>	<b>4608</b>	<b>5375</b>	---	---	---	---	---
<b>110 (43.3)</b>		---	<b>1360</b>	<b>1586</b>	<b>1813</b>	<b>2039</b>	<b>2266</b>	<b>2493</b>	<b>2719</b>	<b>3172</b>	---	---	---	---	---

BTU/hr with 65°F (18.3°C) entering air and 1 GPM flow rate

## STRADA TYPE 15

code height length type color conn.  
ORDER CODE: STRW. 020 050 15. XXX /00

mean T °F (°C)	H	L 19.5" (050)	23.5" (060)	27.5" (070)	31.5" (080)	35.5" (090)	39.5" (100)	43.5" (110)	47" (120)	55" (140)	63" (160)	71" (180)	78.5" (200)	94.5" (240)	110" (280)
170 (76.7)	<b>8"</b>	2308	2770	3232	3694	4156	4617	5079	5541	6465	7388	8312	9235	11082	12930
160 (71.1)	(020)	2005	2406	2807	3208	3609	4010	4411	4813	5615	6417	7219	8021	9626	11230
<b>130 (54.4)</b>		<b>1175</b>	<b>1410</b>	<b>1645</b>	<b>1880</b>	<b>2115</b>	<b>2350</b>	<b>2585</b>	<b>2820</b>	<b>3290</b>	<b>3761</b>	<b>4231</b>	<b>4701</b>	<b>5641</b>	<b>6581</b>
<b>110 (43.3)</b>		<b>700</b>	<b>840</b>	<b>980</b>	<b>1120</b>	<b>1260</b>	<b>1400</b>	<b>1540</b>	<b>1680</b>	<b>1960</b>	<b>2241</b>	<b>2521</b>	<b>2801</b>	<b>3361</b>	<b>3921</b>
170 (76.7)	<b>14"</b>	3105	3726	4347	4968	5589	6210	6831	7452	8694	9936	11178	12421	14905	17389
160 (71.1)	(035)	2701	3242	3782	4323	4863	5403	5944	6484	7565	8646	9727	10807	12969	15131
<b>130 (54.4)</b>		<b>1594</b>	<b>1913</b>	<b>2232</b>	<b>2551</b>	<b>2869</b>	<b>3188</b>	<b>3507</b>	<b>3826</b>	<b>4464</b>	<b>5102</b>	<b>5739</b>	<b>6377</b>	<b>7653</b>	<b>8928</b>
<b>110 (43.3)</b>		<b>956</b>	<b>1147</b>	<b>1338</b>	<b>1530</b>	<b>1721</b>	<b>1912</b>	<b>2103</b>	<b>2295</b>	<b>2677</b>	<b>3060</b>	<b>3442</b>	<b>3825</b>	<b>4590</b>	<b>5355</b>
170 (76.7)	<b>19.5"</b>	3653	4382	5115	5844	6577	7306	8035	8768	10231	11689	13151	14613	17537	20457
160 (71.1)	(050)	3184	3819	4458	5094	5733	6368	7003	7643	8917	10188	11462	12737	15286	17831
<b>130 (54.4)</b>		<b>1891</b>	<b>2268</b>	<b>2648</b>	<b>3025</b>	<b>3404</b>	<b>3782</b>	<b>4159</b>	<b>4539</b>	<b>5296</b>	<b>6050</b>	<b>6807</b>	<b>7564</b>	<b>9078</b>	<b>10590</b>
<b>110 (43.3)</b>		<b>1141</b>	<b>1369</b>	<b>1598</b>	<b>1826</b>	<b>2055</b>	<b>2282</b>	<b>2510</b>	<b>2739</b>	<b>3196</b>	<b>3652</b>	<b>4108</b>	<b>4565</b>	<b>5479</b>	<b>6391</b>
170 (76.7)	<b>25.5"</b>	4038	4845	5651	6462	7269	8076	8883	9690	11307	12921	14539	16152	19384	22615
160 (71.1)	(065)	3526	4230	4935	5643	6347	7052	7756	8461	9873	11282	12695	14104	16926	19747
<b>130 (54.4)</b>		<b>2108</b>	<b>2529</b>	<b>2951</b>	<b>3374</b>	<b>3795</b>	<b>4217</b>	<b>4638</b>	<b>5059</b>	<b>5904</b>	<b>6746</b>	<b>7591</b>	<b>8434</b>	<b>10121</b>	<b>11808</b>
<b>110 (43.3)</b>		<b>1281</b>	<b>1537</b>	<b>1793</b>	<b>2050</b>	<b>2306</b>	<b>2562</b>	<b>2818</b>	<b>3074</b>	<b>3587</b>	<b>4099</b>	<b>4612</b>	<b>5124</b>	<b>6149</b>	<b>7174</b>
170 (76.7)	<b>37.5"</b>	---	5383	6277	7176	8070	8969	9867	10762	12555	---	---	---	---	---
160 (71.1)	(095)	---	4716	5500	6288	7071	7859	8646	9430	11001	---	---	---	---	---
<b>130 (54.4)</b>		---	<b>2858</b>	<b>3333</b>	<b>3810</b>	<b>4285</b>	<b>4762</b>	<b>5239</b>	<b>5714</b>	<b>6666</b>	---	---	---	---	---
<b>110 (43.3)</b>		---	<b>1759</b>	<b>2051</b>	<b>2345</b>	<b>2637</b>	<b>2931</b>	<b>3224</b>	<b>3516</b>	<b>4102</b>	---	---	---	---	---

BTU/hr with 65°F (18.3°C) entering air and 1 GPM flow rate

## STRADA TYPE 16

code height length type color conn.  
ORDER CODE: STRW. 035 050 16. XXX /00

mean T °F (°C)	H	L 19.5" (050)	23.5" (060)	27.5" (070)	31.5" (080)	35.5" (090)	39.5" (100)	43.5" (110)	47" (120)	55" (140)	63" (160)	71" (180)	78.5" (200)	94.5" (240)	110" (280)
170 (76.7)	<b>14"</b>	3402	4081	4760	5439	6122	6801	7479	8163	9520	10882	12240	13602	16321	19041
160 (71.1)	(035)	2940	3527	4114	4700	5291	5877	6464	7054	8228	9405	10578	11755	14105	16456
<b>130 (54.4)</b>		<b>1691</b>	<b>2028</b>	<b>2365</b>	<b>2703</b>	<b>3042</b>	<b>3379</b>	<b>3717</b>	<b>4056</b>	<b>4731</b>	<b>5408</b>	<b>6083</b>	<b>6759</b>	<b>8111</b>	<b>9463</b>
<b>110 (43.3)</b>		<b>989</b>	<b>1186</b>	<b>1383</b>	<b>1581</b>	<b>1779</b>	<b>1977</b>	<b>2174</b>	<b>2373</b>	<b>2767</b>	<b>3163</b>	<b>3558</b>	<b>3954</b>	<b>4745</b>	<b>5535</b>
170 (76.7)	<b>19.5"</b>	4055	4867	5679	6486	7298	8110	8922	9734	11354	12978	14597	16221	19464	22708
160 (71.1)	(050)	3502	4203	4905	5602	6304	7005	7706	8407	9806	11209	12608	14010	16811	19613
<b>130 (54.4)</b>		<b>2009</b>	<b>2411</b>	<b>2814</b>	<b>3214</b>	<b>3616</b>	<b>4019</b>	<b>4421</b>	<b>4823</b>	<b>5626</b>	<b>6431</b>	<b>7233</b>	<b>8038</b>	<b>9645</b>	<b>11253</b>
<b>110 (43.3)</b>		<b>1173</b>	<b>1407</b>	<b>1642</b>	<b>1876</b>	<b>2111</b>	<b>2346</b>	<b>2580</b>	<b>2815</b>	<b>3284</b>	<b>3753</b>	<b>4222</b>	<b>4692</b>	<b>5630</b>	<b>6568</b>
170 (76.7)	<b>25.5"</b>	4649	5577	6505	7433	8366	9294	10222	11155	13011	14872	16728	18588	22305	26022
160 (71.1)	(065)	4013	4814	5615	6416	7221	8022	8824	9628	11231	12837	14439	16045	19254	22462
<b>130 (54.4)</b>		<b>2297</b>	<b>2755</b>	<b>3214</b>	<b>3673</b>	<b>4133</b>	<b>4592</b>	<b>5051</b>	<b>5511</b>	<b>6429</b>	<b>7348</b>	<b>8265</b>	<b>9185</b>	<b>11021</b>	<b>12858</b>
<b>110 (43.3)</b>		<b>1338</b>	<b>1605</b>	<b>1872</b>	<b>2139</b>	<b>2407</b>	<b>2674</b>	<b>2941</b>	<b>3210</b>	<b>3744</b>	<b>4280</b>	<b>4814</b>	<b>5349</b>	<b>6419</b>	<b>7489</b>
170 (76.7)	<b>37.5"</b>	---	6882	8030	9178	10323	11471	12619	13764	16060	---	---	---	---	---
160 (71.1)	(095)	---	5933	6923	7913	8900	9890	10880	11866	13846	---	---	---	---	---
<b>130 (54.4)</b>		---	<b>3381</b>	<b>3945</b>	<b>4509</b>	<b>5071</b>	<b>5635</b>	<b>6199</b>	<b>6762</b>	<b>7890</b>	---	---	---	---	---
<b>110 (43.3)</b>		---	<b>1960</b>	<b>2287</b>	<b>2614</b>	<b>2940</b>	<b>3267</b>	<b>3595</b>	<b>3921</b>	<b>4575</b>	---	---	---	---	---

## STRADA TYPE 20

code height length type color conn.  
ORDER CODE: STRW. 020 050 20. XXX /00

mean T °F (°C)	H	L 19.5" (050)	23.5" (060)	27.5" (070)	31.5" (080)	35.5" (090)	39.5" (100)	43.5" (110)	47" (120)	55" (140)	63" (160)	71" (180)	78.5" (200)	94.5" (240)	110" (280)
170 (76.7)	<b>8"</b>	3245	3893	4541	5194	5842	6490	7138	7786	9087	10383	11684	12980	15577	18174
160 (71.1)	(020)	2818	3381	3944	4511	5074	5637	6200	6763	7893	9019	10148	11274	13530	15786
<b>130 (54.4)</b>		<b>1651</b>	<b>1981</b>	<b>2311</b>	<b>2643</b>	<b>2973</b>	<b>3303</b>	<b>3633</b>	<b>3963</b>	<b>4625</b>	<b>5285</b>	<b>5947</b>	<b>6607</b>	<b>7929</b>	<b>9251</b>
<b>110 (43.3)</b>		<b>984</b>	<b>1180</b>	<b>1377</b>	<b>1575</b>	<b>1772</b>	<b>1968</b>	<b>2165</b>	<b>2361</b>	<b>2756</b>	<b>3149</b>	<b>3544</b>	<b>3937</b>	<b>4724</b>	<b>5512</b>
170 (76.7)	<b>14"</b>	4351	5221	6092	6962	7832	8703	9573	10443	12184	13925	15665	17406	20887	24368
160 (71.1)	(035)	3786	4543	5301	6058	6815	7572	8330	9087	10602	12116	13631	15145	18174	21204
<b>130 (54.4)</b>		<b>2234</b>	<b>2681</b>	<b>3128</b>	<b>3574</b>	<b>4021</b>	<b>4468</b>	<b>4915</b>	<b>5362</b>	<b>6256</b>	<b>7149</b>	<b>8043</b>	<b>8937</b>	<b>10724</b>	<b>12512</b>
<b>110 (43.3)</b>		<b>1340</b>	<b>1608</b>	<b>1876</b>	<b>2144</b>	<b>2412</b>	<b>2680</b>	<b>2948</b>	<b>3216</b>	<b>3752</b>	<b>4288</b>	<b>4824</b>	<b>5360</b>	<b>6432</b>	<b>7504</b>
170 (76.7)	<b>19.5"</b>	5111	6131	7155	8174	9198	10218	11242	12262	14305	16349	18393	20436	24524	28611
160 (71.1)	(050)	4455	5343	6236	7125	8017	8906	9798	10687	12469	14250	16031	17812	21375	24938
<b>130 (54.4)</b>		<b>2645</b>	<b>3173</b>	<b>3703</b>	<b>4231</b>	<b>4761</b>	<b>5289</b>	<b>5819</b>	<b>6347</b>	<b>7405</b>	<b>8463</b>	<b>9521</b>	<b>10579</b>	<b>12694</b>	<b>14810</b>
<b>110 (43.3)</b>		<b>1596</b>	<b>1915</b>	<b>2235</b>	<b>2554</b>	<b>2874</b>	<b>3192</b>	<b>3512</b>	<b>3831</b>	<b>4469</b>	<b>5108</b>	<b>5746</b>	<b>6385</b>	<b>7662</b>	<b>8939</b>
170 (76.7)	<b>25.5"</b>	5643	6769	7899	9026	10156	11282	12413	13539	15795	18052	20308	22565	27078	31591
160 (71.1)	(065)	4927	5911	6898	7881	8868	9851	10838	11822	13792	15762	17733	19703	23644	27585
<b>130 (54.4)</b>		<b>2946</b>	<b>3534</b>	<b>4124</b>	<b>4712</b>	<b>5303</b>	<b>5891</b>	<b>6481</b>	<b>7069</b>	<b>8247</b>	<b>9425</b>	<b>10604</b>	<b>11782</b>	<b>14138</b>	<b>16495</b>
<b>110 (43.3)</b>		<b>1790</b>	<b>2147</b>	<b>2506</b>	<b>2863</b>	<b>3222</b>	<b>3579</b>	<b>3937</b>	<b>4295</b>	<b>5011</b>	<b>5726</b>	<b>6442</b>	<b>7158</b>	<b>8590</b>	<b>10022</b>
170 (76.7)	<b>37.5"</b>	---	7502	8751	10005	11255	12505	13754	15004	17507	---	---	---	---	---
160 (71.1)	(095)	---	6573	7668	8767	9862	10957	12052	13147	15341	---	---	---	---	---
<b>130 (54.4)</b>		---	<b>3983</b>	<b>4647</b>	<b>5312</b>	<b>5976</b>	<b>6639</b>	<b>7303</b>	<b>7966</b>	<b>9296</b>	---	---	---	---	---
<b>110 (43.3)</b>		---	<b>2451</b>	<b>2860</b>	<b>3269</b>	<b>3678</b>	<b>4086</b>	<b>4494</b>	<b>4903</b>	<b>5721</b>	---	---	---	---	---

## STRADA TYPE 21

code height length type color conn.  
ORDER CODE: STRW. 035 050 21. XXX /00

mean T °F (°C)	H	L 19.5" (050)	23.5" (060)	27.5" (070)	31.5" (080)	35.5" (090)	39.5" (100)	43.5" (110)	47" (120)	55" (140)	63" (160)	71" (180)	78.5" (200)	94.5" (240)	110" (280)
170 (76.7)	<b>14"</b>	4522	5425	6332	7235	8142	9044	9947	10854	12664	14470	16280	18089	21709	25324
160 (71.1)	(035)	3902	4682	5464	6243	7026	7805	8585	9367	10929	12487	14049	15611	18735	21855
<b>130 (54.4)</b>		<b>2232</b>	<b>2678</b>	<b>3125</b>	<b>3571</b>	<b>4019</b>	<b>4465</b>	<b>4910</b>	<b>5358</b>	<b>6251</b>	<b>7143</b>	<b>8036</b>	<b>8930</b>	<b>10716</b>	<b>12501</b>
<b>110 (43.3)</b>		<b>1299</b>	<b>1558</b>	<b>1819</b>	<b>2078</b>	<b>2339</b>	<b>2598</b>	<b>2857</b>	<b>3118</b>	<b>3638</b>	<b>4157</b>	<b>4677</b>	<b>5197</b>	<b>6237</b>	<b>7275</b>
170 (76.7)	<b>19.5"</b>	5534	6640	7746	8857	9963	11069	12175	13281	15498	17710	19926	22138	26567	30996
160 (71.1)	(050)	4770	5723	6677	7634	8587	9540	10494	11447	13357	15264	17174	19081	22898	26715
<b>130 (54.4)</b>		<b>2715</b>	<b>3257</b>	<b>3800</b>	<b>4345</b>	<b>4887</b>	<b>5430</b>	<b>5973</b>	<b>6515</b>	<b>7603</b>	<b>8688</b>	<b>9775</b>	<b>10860</b>	<b>13033</b>	<b>15206</b>
<b>110 (43.3)</b>		<b>1572</b>	<b>1887</b>	<b>2201</b>	<b>2516</b>	<b>2831</b>	<b>3145</b>	<b>3459</b>	<b>3774</b>	<b>4403</b>	<b>5032</b>	<b>5662</b>	<b>6290</b>	<b>7549</b>	<b>8807</b>
170 (76.7)	<b>25.5"</b>	6507	7808	9109	10411	11712	13014	14315	15616	18219	20822	23425	26028	31233	36439
160 (71.1)	(065)	5601	6722	7842	8962	10083	11203	12323	13444	15684	17925	20166	22406	26888	31369
<b>130 (54.4)</b>		<b>3173</b>	<b>3808</b>	<b>4443</b>	<b>5078</b>	<b>5713</b>	<b>6347</b>	<b>6982</b>	<b>7617</b>	<b>8887</b>	<b>10156</b>	<b>11426</b>	<b>12695</b>	<b>15234</b>	<b>17774</b>
<b>110 (43.3)</b>		<b>1830</b>	<b>2196</b>	<b>2562</b>	<b>2928</b>	<b>3294</b>	<b>3660</b>	<b>4026</b>	<b>4392</b>	<b>5124</b>	<b>5856</b>	<b>6589</b>	<b>7321</b>	<b>8785</b>	<b>10249</b>
170 (76.7)	<b>37.5"</b>	---	10141	11831	13521	15211	16901	18591	20282	23662	---	---	---	---	---
160 (71.1)	(095)	---	8708	10159	11610	13062	14513	15965	17416	20319	---	---	---	---	---
<b>130 (54.4)</b>		---	<b>4887</b>	<b>5702</b>	<b>6516</b>	<b>7331</b>	<b>8145</b>	<b>8960</b>	<b>9775</b>	<b>11404</b>	---	---	---	---	---
<b>110 (43.3)</b>		---	<b>2792</b>	<b>3258</b>	<b>3723</b>	<b>4189</b>	<b>4654</b>	<b>5119</b>	<b>5585</b>	<b>6516</b>	---	---	---	---	---

BTU/hr with 65°F (18.3°C) entering air and 1 GPM flow rate

WWW.JAGA-USA.COM  
WWW.JAGA-CANADA.COM

