



**jaga**

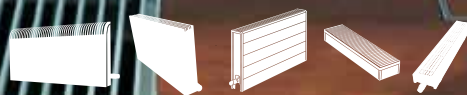
*Energy*  
**SAVERS**  
LOW-H<sub>2</sub>O



## MINI CANAL

Warm power  
with minimum recess depth

[WWW.JAGA-USA.COM](http://WWW.JAGA-USA.COM)  
[WWW.JAGA-CANADA.COM](http://WWW.JAGA-CANADA.COM)





## WARM POWER, MINIMUM RECESS DEPTH

Minimum recess depth, maximum heat. Mini Canal starts at 3.5" (9 cm). That is why it is the perfect solution for multiple storeys or floating floors. Mini Canal is delivered ready-to-mount. Hidden under the grille is an ultra fast Low-H<sub>2</sub>O element. An ideal complement to floor heating systems, but powerful enough to serve as a primary heat source. Mini Canal is available in lengths from 43" (110 cm) to 193" (490 cm).

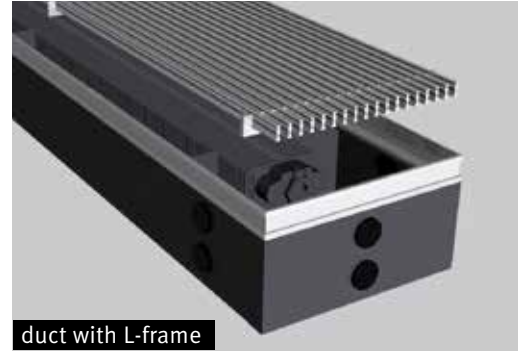
### DIMENSIONS

### OUTPUT (BTU/foot)

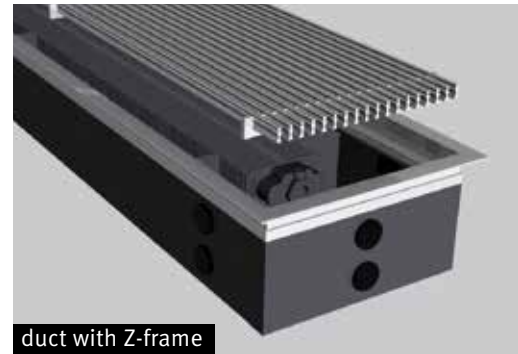
H	Type	d	h	D	Designo roll-up wooden grille	Designo rigid aluminum grille	Accordion roll-up aluminum grille	Pebbles rigid aluminum grille
3 <sup>35</sup> / <sub>64</sub> (9)	04	2 (5)	2 (5)	5.5 (14)	198	207	160	---
	09	4 (10)	2 (5)	7 (18)	235	245	189	---
	09	4 (10)	2 (5)	10 (26)	309	322	249	282
	14	6 (15)	2 (5)	13.5 (34)	400	417	323	366
	19	8 (20)	2 (5)	16.5 (42)	578	603	466	528
4 <sup>21</sup> / <sub>64</sub> (11)	04	2 (5)	2 (5)	5.5 (14)	227	237	183	---
	09	4 (10)	2 (5)	7 (18)	269	281	217	---
	09	4 (10)	2 (5)	10 (26)	364	379	293	332
	14	6 (15)	2 (5)	13.5 (34)	472	493	381	432
	19	8 (20)	2 (5)	16.5 (42)	664	692	536	607
5 <sup>33</sup> / <sub>64</sub> (14)	05	2 (5)	4 (10)	5.5 (14)	258	269	208	---
	10	4 (10)	4 (10)	10 (26)	448	468	362	410
	15	6 (15)	4 (10)	13.5 (34)	611	637	493	558
	20	8 (20)	4 (10)	16.5 (42)	824	859	665	753
	7 <sup>31</sup> / <sub>64</sub> (19)	10	4 (10)	4 (10)	10 (26)	509	531	411
15		6 (15)	4 (10)	13.5 (34)	689	719	556	630
20		8 (20)	4 (10)	16.5 (42)	947	988	763	865

Note: dimensions in "( ) " are shown in centimeters.

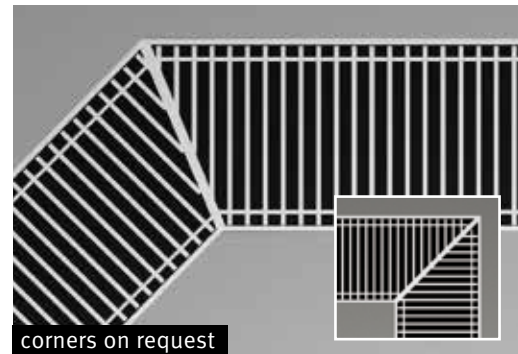
Average output in BTU/h foot with 65°F (18.3°C) entering air and 1 GPM flow rate. Mean water temperature of 160°F (71.1°C).



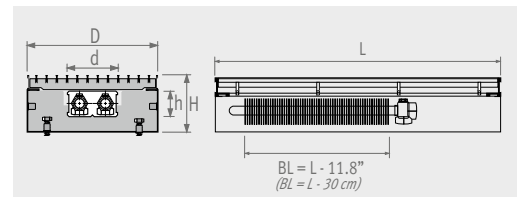
duct with L-frame



duct with Z-frame



corners on request

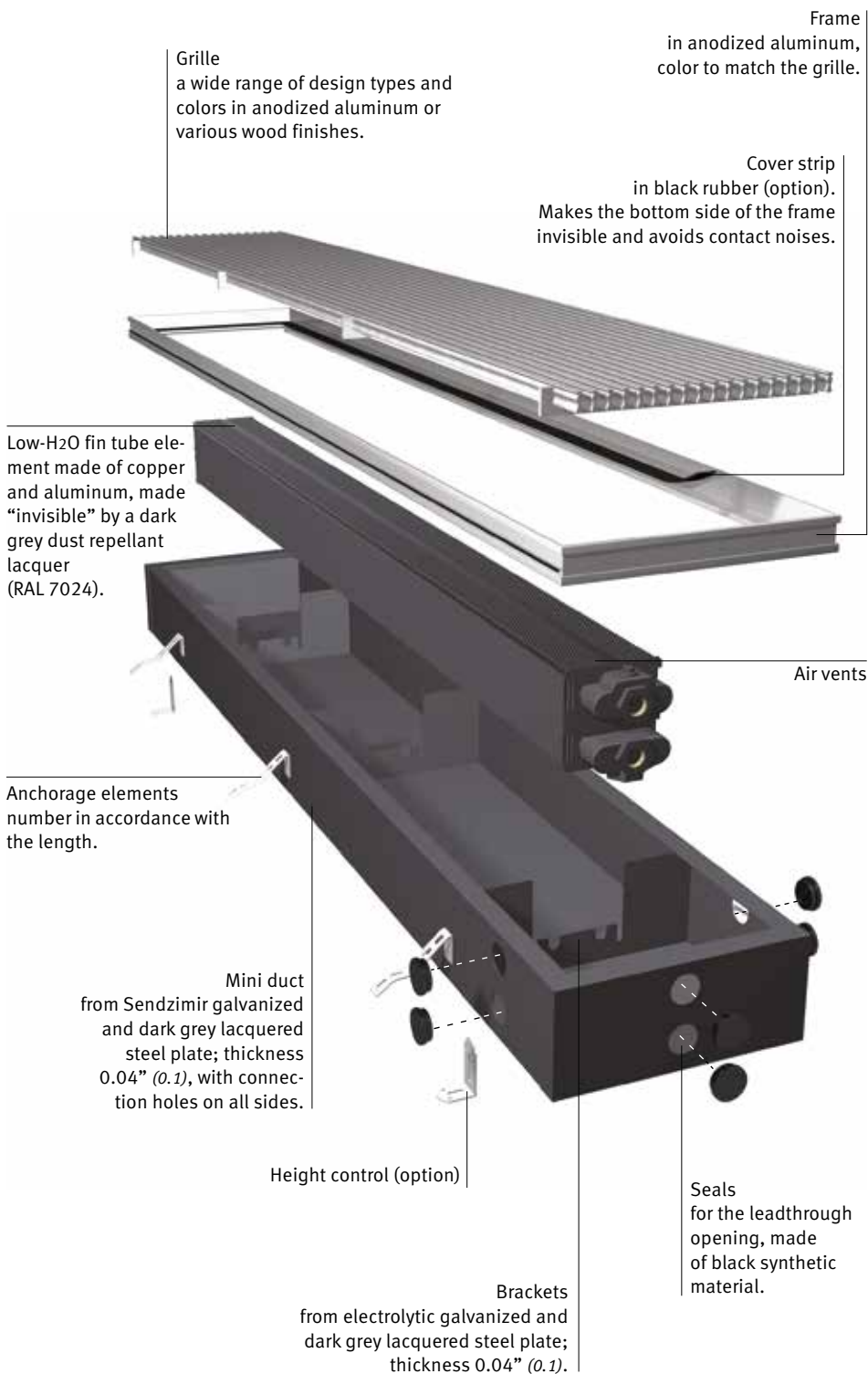


### Example output calculation

Output of Mini Canal H 14 - D 34 - L 290 with a Designo rigid aluminum grille

$$637 \text{ BTU/h} \times \frac{(114.2 - 11.8)}{12} = 5436 \text{ BTU/h}$$

## MINI CANAL COMPOSITION



## CONNECTIONS

There are several ways to connect the fin tube element, f.e.

- with the central control collector. Temperature regulators via room thermostat (no valve in the duct).
- with thermostatic valve in the duct: in this case it is best to use a connection set with remote controlled thermostatic head. Control is simple and the thermostat will provide better measurement of the ambient temperature.

# THE MOST POWERFUL HEAT EMITTERS



### Significant energy savings

The most efficient and modern fin tube element, that complies with actual AND future building standards and technologies.

### For all low temperature hydronic systems

Perfectly suited for condensing boilers, heat pumps and solar systems.

**The perfect partner for radiant heating** for improved temperature control and energy efficiency.

1/8" NPTF airvent connection

Brass collectors with 1/2" NPTF connections

With dirt-repellent and dust-proof lacquer in graphite grey

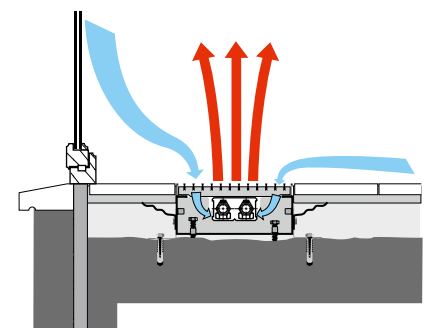
Up to 16 parallel copper tubes for the best heat emission

55 Corrugated aluminum fins per foot for super heat-output at low water temperatures

AHRI MEMBER

★ ★ ★  
EN 442

## OPERATING PRINCIPLE



# OVERVIEW GRILLES

## DESIGNO ROLL-UP WOODEN GRILLES

Merbau natural **DMN**    Oak natural **DON**    Beech natural **DBN**  
 Designo Merbau Natural    Designo Oak Natural    Designo Beech Natural



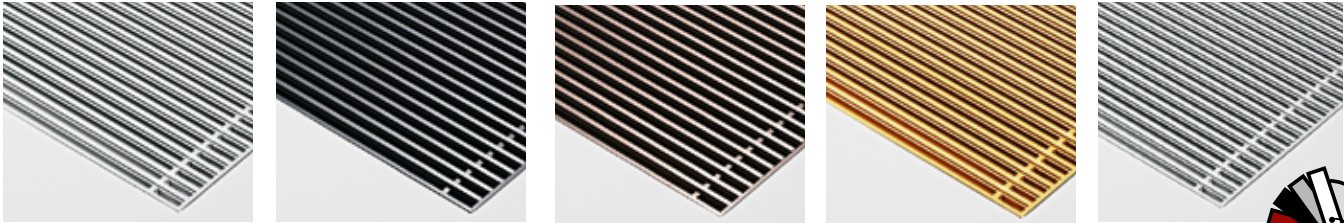
Roll-up natural or varnished grille with natural color anodized aluminum distance pieces. Frame in natural colored anodized aluminum. Free air flow 52%.

Merbau varnished **DMV**    Oak varnished **DOV**    Beech varnished **DBV**  
 Designo Merbau Varnished    Designo Oak Varnished    Designo Beech Varnished



## DESIGNO RIGID ALUMINUM GRILLES

Natural colored **DNA**    Black **DBL**    Dark brown **ddb**    Brass colored **DBR**    Lacquered **COLOR/DNC**  
 Designo NATural    Designo BLack    Designo Dark Brown    Designo BRASS    Designo stiff Natural Color



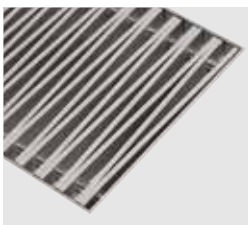
Rigid anodized aluminum grille. Frame in the same color. Free air flow 62.5%.



32 colors

## ACCORDION ROLL-UP ALUMINUM GRILLE

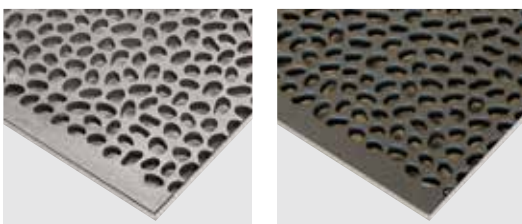
Natural colored **ANA**  
 Accordion NATural



Rollable anodized aluminum grille exists of slightly curved slats, with transparent spacers. The frame is made of the same material as the grille. Free air flow 55%.

## PEBBLES RIGID ALUMINUM GRILLE

Natural **PNC/026**    Sandblast grey **PNC/028**  
 Pebbles Natural Color    Pebbles Natural Color



Rigid grille made of cast aluminum. The pebbles is available as "grille tiles" of 19.5" (50 cm) long and a thickness of 19.7" (1 cm). To customise the length, the end tile will be made on size with a minimal length of 8" (20 cm). Free air flow 66%.