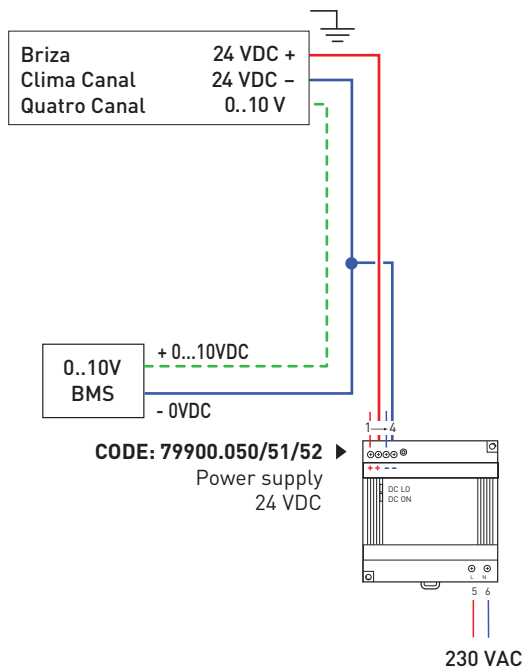
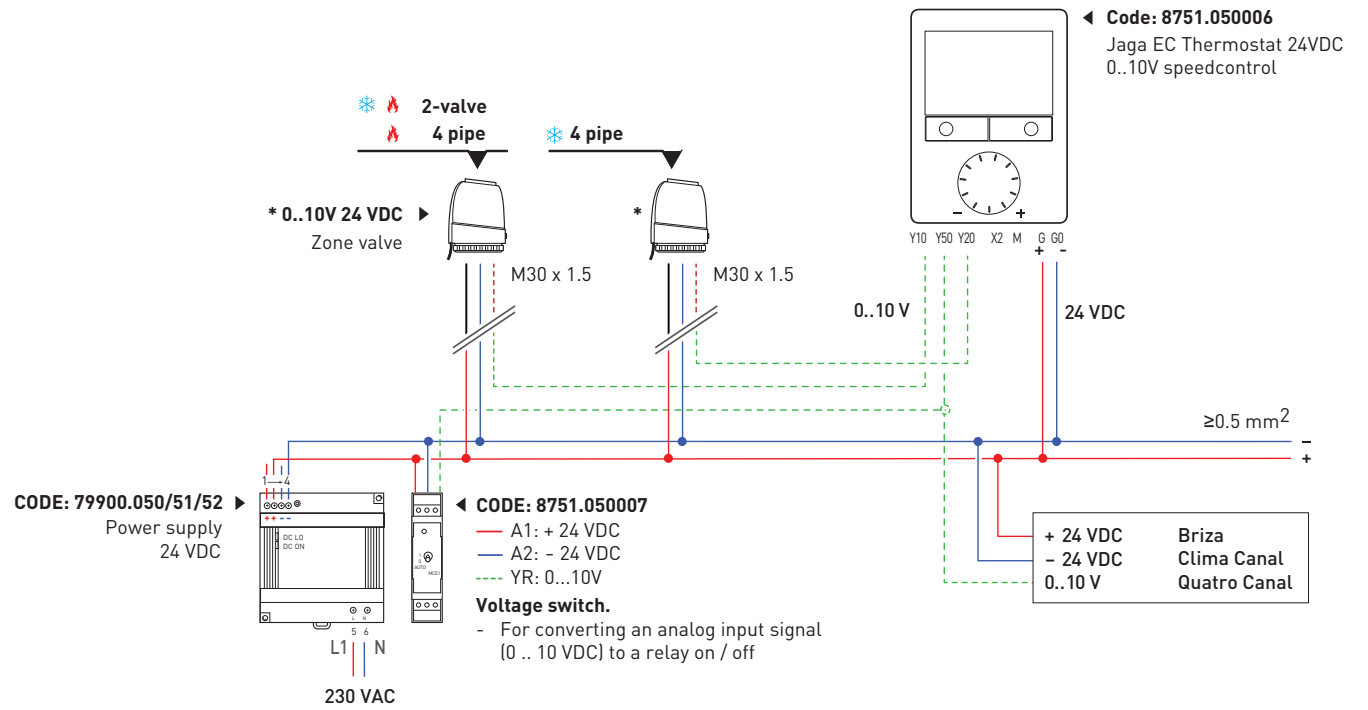


Electrical connection

Connecting an external 0...10 V input



0 - 10V connection Jaga EC thermostat



4 valves = only Briza and Quatro Canal